

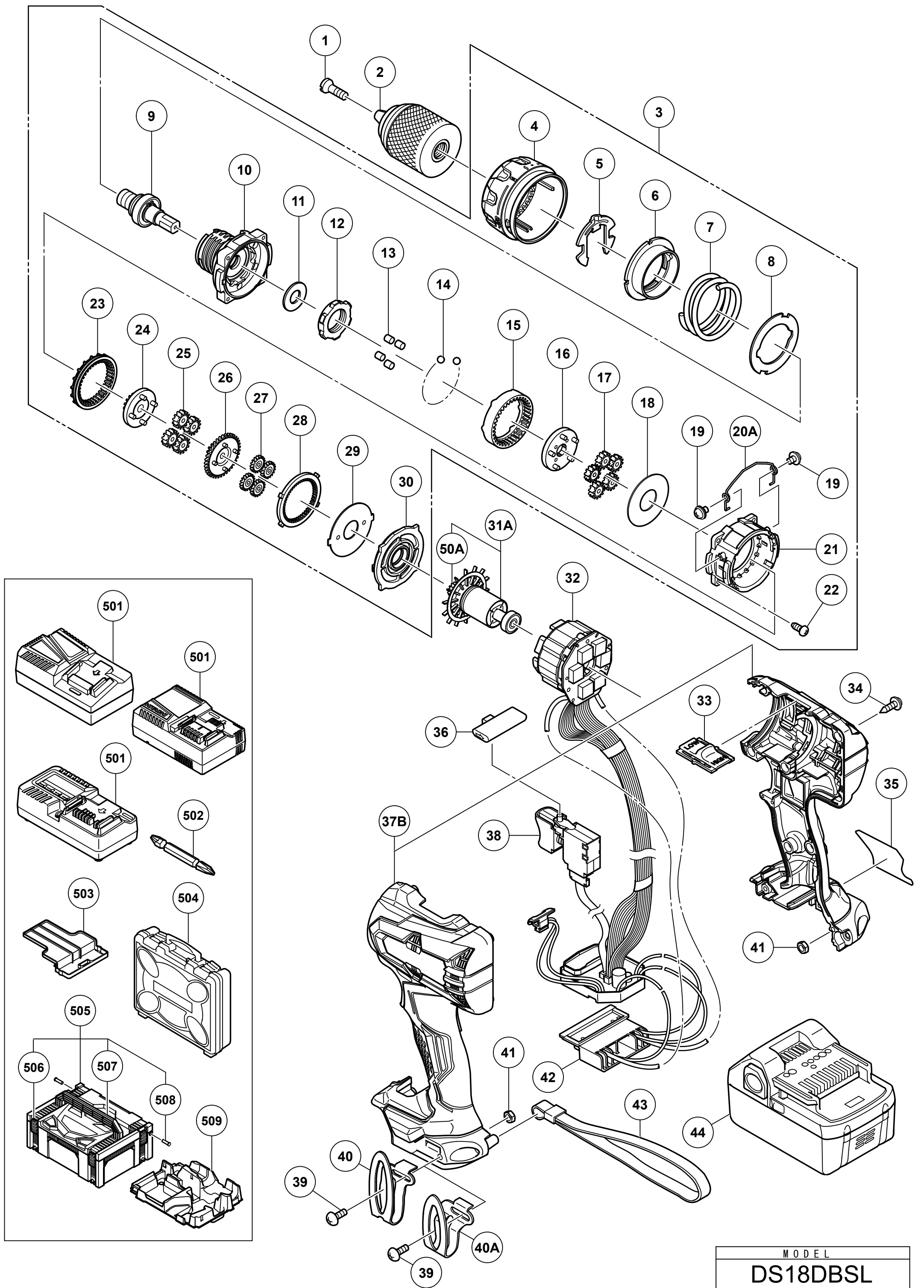
# HIKOKI

## CORDLESS DRIVER DRILL

Item No.	Code No.	Description	No. Used	Remarks
1	370908	SEAL LOCK FLAT HD.SCREW(LEFT HAND)6X20.5	1	FOR CHUCK 13VLRU-N
2	335961	DRILL CHUCK 13VLRU-N (W/O CHUCK WRENCH)	1	FOR EUROPE,RUS,ASIA,USA
3	370592	GEAR BOX ASS'Y	1	INCLUD.4-30
4	370610	CLUTCH DIAL (A)	1	
5	327146	CLICK SPRING	1	
6	370602	NUT	1	
7	370607	SPRING	1	
8	370603	THRUST PLATE	1	
9	370596	SPINDLE	1	
10	370594	FRONT CASE	1	
11	328717	WASHER (B)	1	
12	370609	LOCK RING	1	
13	319744	ROLLER	4	
14	306936	STEEL BALL D5	6	
15	370606	RING GEAR	1	
16	370600	CARRIER	1	
17	370616	PLANET GEAR (C) SET (5 PCS.)	5	
18	331892	WASHER (A)	1	
19	331895	SCREW SET D2 (2 PCS.)	2	
20A	370608	SHIFT ARM	1	
21	370601	REAR CASE	1	
22	324357	SCREW SET D3X12 (4 PCS.)	4	
23	370605	SLIDE RING GEAR	1	
24	370599	PINION (C)	1	
25	370615	PLANET GEAR (B) SET (4 PCS.)	4	
26	370598	PINION (B)	1	
27	370614	PLANET GEAR (A) SET (4 PCS.)	4	
28	370604	FIRST RING GEAR	1	
29	339761	WASHER (B)	1	
30	339762	MOTOR SPACER	1	
31A	361048	ROTOR PINION SET	1	INCLUD.50A
32	370619	WIRING ASS'Y	1	INCLUD.38,42
33	330583	SHIFT KNOB	1	
34	313687	TAPPING SCREW (W/FLANGE) D3X16 (BLACK)	9	
35		NAME PLATE	1	
36	339768	PUSHING BUTTON	1	
37B	370618	HOUSING (A).(B) SET	1	
38	370151	DC-SPEED CONTROL SWITCH	1	
39	327001	TRUSS HD. SCREW M4 (BLACK)	1	
40	332824	HOOK	1	
40A	372229	HOOK	1	FOR EUROPE
41	327002	LOCK NUT M4 (BLACK)	2	
42	339769	BATTERY TERMINAL	1	
43	306952	STRAP (BLACK)	1	
*44	335790	BATTERY BSL 1850 (EUROPE,AUS,NZL)	2	INCLUD.503
*44	370739	BATTERY BSL 1850 (KOR)	2	INCLUD.503
*44	339783	BATTERY BSL 1830C (EUROPE,AUS,NZL)	2	INCLUD.503
*44	371308	BATTERY BSL 1830C (CHN)	2	INCLUD.503
*44	330068	BATTERY BSL 1830 (EUROPE,AUS,NZL)	2	INCLUD.503
*44	334729	BATTERY BSL 1830 (TPE)	2	INCLUD.503
*44	336690	BATTERY BSL 1830 (THA)	2	INCLUD.503
50A	376019	MOTOR PINION	1	
		STANDARD ACCESSORIES		

\* ALTERNATIVE PARTS





MODEL  
DS18DBSL