

HIKOKI**OEM C10RJ**

| Item No. | Code No. | Description | No. Used | Remarks |
|----------|----------|---------------------------------------|----------|-----------------|
| 271 | 372377 | CROSS RECESSED COUNTERSUNK SCREW | 3 | |
| 272 | 372378 | GEAR COVER | 1 | |
| 273 | 372379 | DEEP GROOVE BALL BEARING | 1 | |
| 274 | 372380 | RING | 1 | |
| 275 | 372381 | OUTPUT SHAFT | 1 | |
| 276 | 372382 | HALF ROUND KEY | 1 | |
| 277 | 372383 | GEAR | 1 | |
| 278 | 372384 | SHAFT RING 16 | 1 | |
| 279 | 372385 | OIL BEARING | 1 | |
| 280 | 372376 | CROSS RECESS PAN HEAD SCREW | 4 | |
| 282 | 371474 | FLAT WASHER 5 | 4 | |
| 283 | 374749 | FRONT END COVER | 1 | |
| 284 | 372374 | INNER RING | 1 | |
| 285 | 372373 | DEEP GROOVE BALL BEARING | 1 | |
| *286 | 376403 | ARMATURE | 1 | FOR EUROPE ,AUS |
| 287 | 372371 | SELF-EXTRUDING SCREW | 2 | |
| *288 | 376404 | STATOR | 1 | FOR EUROPE ,AUS |
| 289 | 372369 | BEARING 6003-2RS | 1 | |
| 290 | 372368 | DAMPING RING | 1 | |
| 291 | 375808 | MOTOR HOUSING | 1 | |
| 292 | 372365 | BRUSH HOLDER | 2 | |
| 293 | 372364 | CARBON BRUSH | 2 | |
| 294 | 372363 | BRUSH COVER | 2 | |
| 295 | 375809 | HEX. SOCKET SET SCREW M5X8 | 2 | |
| 296 | 375810 | CHASSIS PLUG | 1 | |
| 297 | 372367 | CORD HOLDER | 1 | |
| 298 | 372358 | CROSS RECESSED PAN HEAD TAPPING SCREW | 2 | |
| 299 | 375811 | COVER PLATE | 1 | |
| 300 | 371472 | CROSS PAN HEAD SCREW M5X12 | 2 | |
| *301 | 376405 | SOFT START | 1 | FOR EUROPE ,AUS |
| 302 | 375813 | COVER FOR SOFT START | 1 | |
| 303 | 371475 | CROSS RECESSED PAN HEAD TAPPING SCREW | 2 | |
| 401 | 375829 | STOP SCREW | 2 | FOR EUROPE ,AUS |
| 402 | 375828 | CROSS RECESSED PAN HEAD TAPPING SCREW | 6 | FOR EUROPE ,AUS |
| 403 | 376408 | BIG FLAT WASHER | 2 | FOR EUROPE ,AUS |
| 404 | 376409 | LOCKING HANDLE | 2 | FOR EUROPE ,AUS |
| 405 | 376412 | LOCKING PLATE | 2 | FOR EUROPE ,AUS |
| 406 | 375831 | POSITIONING SPRING | 2 | FOR EUROPE ,AUS |
| 407 | 375832 | LIMITATION PLATE | 2 | FOR EUROPE ,AUS |
| 408 | 376415 | CROSS RECESSED PAN HEAD TAPPING SCREW | 2 | FOR EUROPE ,AUS |
| 409 | 375833 | CROSS RECESSED PAN HEAD TAPPING SCREW | 4 | FOR EUROPE ,AUS |
| 410 | 376422 | RIP FENCE ASS'Y | 1 | FOR EUROPE ,AUS |
| 411 | 376416 | RIP FENCE | 1 | FOR EUROPE ,AUS |
| 412 | 376411 | ELASTIC CYLINDRICAL PIN | 2 | FOR EUROPE ,AUS |
| 413 | 376410 | ELASTIC CYLINDRICAL PIN | 2 | FOR EUROPE ,AUS |
| 414 | 376392 | FLAT WASHER | 6 | FOR EUROPE ,AUS |
| 415 | 375825 | FIXING PLATE (C) | 1 | FOR EUROPE ,AUS |
| 416 | 375830 | FIXING PLATE (A) | 2 | FOR EUROPE ,AUS |
| 417 | 376413 | RIP FENCE HOLDER (LEFT) | 1 | FOR EUROPE ,AUS |
| 418 | 376417 | VICE RIP FENCE | 1 | FOR EUROPE ,AUS |
| 419 | 376414 | RIP FENCE HOLDER (RIGHT) | 1 | FOR EUROPE ,AUS |
| 420 | 375823 | FIXING PLATE (B) | 1 | FOR EUROPE ,AUS |
| 421 | 376419 | BLADE GUARD ASS'Y | 1 | FOR EUROPE ,AUS |

* ALTERNATIVE PARTS

HIKOKI**OEM C10RJ**

| Item No. | Code No. | Description | No. Used | Remarks |
|----------|----------|--|----------|-----------------|
| 422 | 374650 | BOLT | 4 | FOR EUROPE ,AUS |
| 423 | 374651 | LEFT BLADE GUARD | 1 | FOR EUROPE ,AUS |
| 424 | 374652 | LATCH CAP | 2 | FOR EUROPE ,AUS |
| 425 | 374662 | HEXAGON SOCKET SET SCREW | 5 | FOR EUROPE ,AUS |
| 426 | 375844 | HEX. SOCKET SET SCREW WITH FLAP POINT M5 | 1 | FOR EUROPE ,AUS |
| 427 | 374654 | STOP PIN | 1 | FOR EUROPE ,AUS |
| 428 | 374655 | BLADE GUARD SUPPORT SEAT SPRING | 2 | FOR EUROPE ,AUS |
| 429 | 374657 | RIGHT BLADE GUARD | 1 | FOR EUROPE ,AUS |
| 430 | 371595 | SPLIT WASHER 4 | 2 | FOR EUROPE ,AUS |
| 431 | 371596 | FLAT WASHER 6 | 10 | FOR EUROPE ,AUS |
| 432 | 374656 | SLIDING DETENT | 1 | FOR EUROPE ,AUS |
| 433 | 374653 | BLADE GUARD SUPPORT SEAT | 1 | FOR EUROPE ,AUS |
| 434 | 371610 | WASHER ON SHAFT 11 | 2 | FOR EUROPE ,AUS |
| 435 | 374658 | ANTI-KICKBACK PAWL(A) | 1 | FOR EUROPE ,AUS |
| 436 | 371601 | LATCH | 1 | FOR EUROPE ,AUS |
| 437 | 371604 | COMPRESSING SPRING (A) | 1 | FOR EUROPE ,AUS |
| 438 | 375837 | SUPPORTING SEAT | 1 | FOR EUROPE ,AUS |
| 439 | 371606 | SPRING PIN | 1 | FOR EUROPE ,AUS |
| 440 | 371600 | KNOB | 1 | FOR EUROPE ,AUS |
| 441 | 375841 | ANTI-KICKBACK PAWLS ASS'Y | 1 | FOR EUROPE ,AUS |
| 442 | 375838 | WASHER | 2 | FOR EUROPE ,AUS |
| 443 | 374660 | ANTI-KICKBACK PAWL(B) | 1 | FOR EUROPE ,AUS |
| 444 | 371609 | ANTI-KICKBACK PAWL SPRING | 1 | FOR EUROPE ,AUS |
| 445 | 375839 | RIVING KNIFE | 1 | FOR EUROPE ,AUS |
| 446 | 371603 | CAM PRESSING PLATE | 1 | FOR EUROPE ,AUS |
| 447 | 371599 | ECCENTRIC HAND | 1 | FOR EUROPE ,AUS |
| 448 | 374713 | SPECIAL BOLT | 1 | FOR EUROPE ,AUS |
| 449 | 374665 | HEXAGON SOCKET SCREW M14 | 2 | FOR EUROPE ,AUS |
| 450 | 371577 | EXTENSION TABLE | 1 | FOR EUROPE ,AUS |
| 451 | 371581 | EXTENSION ROD | 2 | FOR EUROPE ,AUS |
| 452 | 374666 | STOP COLLAR | 2 | FOR EUROPE ,AUS |
| 453 | 374667 | CROSS PAN HEAD SCREW | 2 | FOR EUROPE ,AUS |
| *454 | 371423 | CROSS PAN HEAD SCREW M4X8 | 8 | FOR EUROPE |
| 455 | 376418 | OUTFEED SUPPORT ASS'Y | 1 | FOR EUROPE ,AUS |
| 456 | 375845 | MITER GAUGE ASS'Y | 1 | FOR EUROPE ,AUS |
| 457 | 374682 | HANDLE FOR MITER GAUGE | 1 | FOR EUROPE ,AUS |
| 458 | 371541 | BIG FLAT WASHER 6 | 9 | FOR EUROPE ,AUS |
| 459 | 374683 | MITER GAUGE | 1 | FOR EUROPE ,AUS |
| 460 | 371625 | STEEL BALL | 1 | FOR EUROPE ,AUS |
| 461 | 374684 | COMPRESSING SPRING (B) | 1 | FOR EUROPE ,AUS |
| 462 | 374685 | POINTER | 1 | FOR EUROPE ,AUS |
| 463 | 371627 | HEX. SOCKET SET SCREW WITH FLAT POINT M6 | 1 | FOR EUROPE ,AUS |
| 464 | 371643 | FRICTION PAD | 3 | FOR EUROPE ,AUS |
| 465 | 371631 | ADJUSTING SHIM | 1 | FOR EUROPE ,AUS |
| 466 | 371628 | BAR FOR MITER GAUGE | 1 | FOR EUROPE ,AUS |
| 467 | 371629 | BOLT (A) | 1 | FOR EUROPE ,AUS |
| 468 | 371475 | CROSS RECESSED PAN HEAD TAPPING SCREW | 25 | FOR EUROPE ,AUS |
| 469 | 376388 | TABLE INSERT ASS'Y | 1 | FOR EUROPE ,AUS |
| 470 | 376387 | BASE PLATE | 1 | FOR EUROPE ,AUS |
| 471 | 376381 | TABLE INSERT | 1 | FOR EUROPE ,AUS |
| 472 | 374664 | TABLE INSERT LOCK PLATE | 1 | FOR EUROPE ,AUS |
| 473 | 371424 | FLAT WASHER 4 | 30 | FOR EUROPE ,AUS |
| 474 | 371443 | SPRIN WASHER 4 | 5 | FOR EUROPE ,AUS |

* ALTERNATIVE PARTS

HIKOKI**OEM C10RJ**

| Item No. | Code No. | Description | No. Used | Remarks |
|----------|----------|-------------------------------------|----------|-----------------|
| 475 | 371506 | CROSS PAN HEAD SCREW M4X10 | 5 | FOR EUROPE ,AUS |
| 476 | 376384 | SOCKET HEAD CAP SCREW | 6 | FOR EUROPE ,AUS |
| 477 | 371542 | HEX. NUT M6 | 6 | FOR EUROPE ,AUS |
| 478 | 371549 | ADJUSTING BOLT | 2 | FOR EUROPE ,AUS |
| 479 | 371550 | ADJUSTING WHEEL | 2 | FOR EUROPE ,AUS |
| 480 | 371552 | LOCK NUT M4 | 2 | FOR EUROPE ,AUS |
| *481 | 376390 | TABLE INSERT LOCKING BLOCK (A) | 1 | FOR EUROPE |
| 482 | 376389 | SCALE LABEL | 1 | FOR EUROPE ,AUS |
| 483 | 371551 | RAIL | 2 | FOR EUROPE ,AUS |
| 484 | 376383 | SLIDING RAIL (B) | 1 | FOR EUROPE ,AUS |
| 485 | 376382 | SLIDING RAIL (A) | 1 | FOR EUROPE ,AUS |
| 486 | 371546 | HEX. SOCKET CAP SCREW M5X16 | 12 | FOR EUROPE ,AUS |
| 487 | 371548 | FRICTION PAD | 2 | FOR EUROPE ,AUS |
| 488 | 374669 | WORKING TABLE | 1 | FOR EUROPE ,AUS |
| 489 | 371585 | KNOB | 2 | FOR EUROPE ,AUS |
| 490 | 374671 | TABLE INSERT LOCKING BLOCK (B) | 1 | FOR EUROPE ,AUS |
| 491 | 374674 | MOVABLE BAFFLE FIXED SEAT | 2 | FOR EUROPE ,AUS |
| 492 | 371545 | POINTER | 1 | FOR EUROPE ,AUS |
| 493 | 371527 | REAR LOCKING ROD (B) | 1 | FOR EUROPE ,AUS |
| 494 | 371526 | COMPRESSION SPRING | 3 | FOR EUROPE ,AUS |
| 495 | 371528 | SPRING PIN | 2 | FOR EUROPE ,AUS |
| 496 | 371529 | SLIDER (A) | 2 | FOR EUROPE ,AUS |
| 497 | 374691 | SPRING WASHER | 24 | FOR EUROPE ,AUS |
| 498 | 374692 | CROSS PAN HEAD SCREW | 16 | FOR EUROPE ,AUS |
| 499 | 371525 | CLAMP BOARD | 3 | FOR EUROPE ,AUS |
| 500 | 374690 | FLAT WASHER | 28 | FOR EUROPE ,AUS |
| 501 | 375803 | BAFFLE | 1 | FOR EUROPE ,AUS |
| 502 | 374689 | LOCATION-LIMITED PLATE (B) | 1 | FOR EUROPE ,AUS |
| 503 | 371543 | SPRING PIN | 1 | FOR EUROPE ,AUS |
| 504 | 371533 | FRONT LOCKING ROD | 1 | FOR EUROPE ,AUS |
| 505 | 371434 | HEX. NUT M8 | 1 | FOR EUROPE ,AUS |
| 506 | 374688 | LONGER NUT M8 (B) | 1 | FOR EUROPE ,AUS |
| 507 | 374687 | LOCKING LEVER | 1 | FOR EUROPE ,AUS |
| 508 | 371539 | LOCKING BLOCK | 2 | FOR EUROPE ,AUS |
| 509 | 374686 | LOCATION-LIMITED PLATE (A) | 1 | FOR EUROPE ,AUS |
| 510 | 371537 | SHEATH FOR LOCKING LEVER | 1 | FOR EUROPE ,AUS |
| 511 | 371531 | REAR LOCKING ROD (A) | 1 | FOR EUROPE ,AUS |
| 512 | 371521 | ADJUSTING SUPPORT SEAT (A) | 2 | FOR EUROPE ,AUS |
| 513 | 374696 | ADJUSTING GEAR | 2 | FOR EUROPE ,AUS |
| 514 | 376385 | ROTATION KNOB | 1 | FOR EUROPE ,AUS |
| 515 | 371515 | FLAT WASHER | 3 | FOR EUROPE ,AUS |
| 516 | 371514 | HEX. NUT M10 | 4 | FOR EUROPE ,AUS |
| 517 | 371518 | ADJUSTING SUPPORT SEAT (C) | 2 | FOR EUROPE ,AUS |
| 518 | 371519 | ADJUSTING SPRING | 2 | FOR EUROPE ,AUS |
| 519 | 374777 | CROSS PAN HEAD SCREW | 7 | FOR EUROPE ,AUS |
| 520 | 371520 | ADJUSTING SUPPORT SEAT (B) | 2 | FOR EUROPE ,AUS |
| 521 | 374697 | BIG FLAT WASHER | 2 | FOR EUROPE ,AUS |
| 522 | 371595 | SPLIT WASHER 4 | 2 | FOR EUROPE ,AUS |
| 523 | 371524 | SPRING PIN | 2 | FOR EUROPE ,AUS |
| 524 | 376386 | ADJUSTING ROD | 1 | FOR EUROPE ,AUS |
| 525 | 374729 | ECCENTRIC LOCATION-LIMITED | 2 | FOR EUROPE ,AUS |
| 526 | 375820 | BACK PLATE | 1 | FOR EUROPE ,AUS |
| 527 | 374743 | HEXAGON SOCKET HEAD CAP SCREW M5X10 | 2 | FOR EUROPE ,AUS |

* ALTERNATIVE PARTS

HIKOKI**OEM C10RJ**

| Item No. | Code No. | Description | No. Used | Remarks |
|----------|----------|---------------------------------------|----------|-----------------|
| 528 | 374731 | ANGLE ADJUSTING BASE | 1 | FOR EUROPE ,AUS |
| 529 | 371476 | CROSS RECESSED COUNTERSUNK HEAD SCREW | 3 | FOR EUROPE ,AUS |
| 530 | 376406 | OVERLOAD PROTECTOR 9A | 1 | FOR EUROPE ,AUS |
| 531 | 371464 | FRONT PANEL | 1 | FOR EUROPE ,AUS |
| 532 | 371532 | PUSH STICKER | 1 | FOR EUROPE ,AUS |
| 533 | 371463 | BEVEL LABEL | 1 | FOR EUROPE ,AUS |
| 534 | 371448 | LABEL FOR OVERLOAD PROTECTOR | 1 | FOR EUROPE ,AUS |
| 535 | 371447 | NUT FOR OVERLOAD PROTECTOR | 1 | FOR EUROPE ,AUS |
| 536 | 371462 | 45° POINTER | 1 | FOR EUROPE ,AUS |
| 537 | 371455 | HEX. NUT M5 | 2 | FOR EUROPE ,AUS |
| 538 | 371454 | LOCKING HANDLE | 1 | FOR EUROPE ,AUS |
| 539 | 371453 | HEXAGON SOCKET HEAD CAP SCREW M5X12 | 1 | FOR EUROPE ,AUS |
| 540 | 371460 | ROTATION WHEEL | 1 | FOR EUROPE ,AUS |
| 541 | 374738 | ROTATION HANDLE | 1 | FOR EUROPE ,AUS |
| 542 | 374739 | CRANK HANDLE KNOB | 1 | FOR EUROPE ,AUS |
| 543 | 374740 | HANDLE SCREW | 1 | FOR EUROPE ,AUS |
| 544 | 371635 | SWITCH LOCK | 1 | FOR EUROPE ,AUS |
| 545 | 371461 | ROTATION PIN | 1 | FOR EUROPE ,AUS |
| 546 | 371452 | SWITCH FIXING PLATE | 1 | FOR EUROPE ,AUS |
| 547 | 376407 | ELECTROMAGNETIC SWITCH 230V | 1 | FOR EUROPE ,AUS |
| 548 | 371634 | SWITCH FLAP | 1 | FOR EUROPE ,AUS |
| 549 | 371451 | CROSS RECESSED PAN HEAD TAPPING SCREW | 4 | FOR EUROPE ,AUS |
| 550 | 371466 | CROSS RECESSED PAN HEAD TAPPING SCREW | 3 | FOR EUROPE ,AUS |
| 551 | 375818 | SWITCH COVER | 1 | FOR EUROPE ,AUS |
| 552 | 371427 | ADJUSTABLE FOOT (A) | 2 | FOR EUROPE ,AUS |
| 553 | 371432 | OUTER HEX. BOLT M8X30 | 1 | FOR EUROPE ,AUS |
| 554 | 371426 | ADJUSTABLE FOOT (B) | 2 | FOR EUROPE ,AUS |
| 555 | 371434 | HEX. NUT M8 | 1 | FOR EUROPE ,AUS |
| 556 | 371435 | SAW BLADE HOLDER | 1 | FOR EUROPE ,AUS |
| 557 | 374718 | BLADE WRENCH | 2 | FOR EUROPE ,AUS |
| 558 | 374717 | LOCKING KNOB | 1 | FOR EUROPE ,AUS |
| 559 | 371440 | CORD WARP | 2 | FOR EUROPE ,AUS |
| 560 | 371433 | CROSS PAN HEAD SCREW M5X40 | 2 | FOR EUROPE ,AUS |
| 561 | 371439 | ANTI-BENDING SHEATH | 1 | FOR EUROPE ,AUS |
| *562 | 376394 | POWER CORD | 1 | FOR EUROPE |
| 563 | 371438 | WIRE CLIP | 1 | FOR EUROPE ,AUS |
| 564 | 371436 | CROSS RECESS PAN HEAD SCREW M4X12 | 2 | FOR EUROPE ,AUS |
| 565 | 371441 | HEX. NUT M4 | 2 | FOR EUROPE ,AUS |
| 566 | 371442 | BLADE GUARD STORAGE (B) | 1 | FOR EUROPE ,AUS |
| 567 | 371446 | BLADE GUARD STORAGE (A) | 1 | FOR EUROPE ,AUS |
| 568 | 371431 | MITER GAUGE STORAGE | 1 | FOR EUROPE ,AUS |
| 569 | 371429 | SPRING WASHER | 8 | FOR EUROPE ,AUS |
| 570 | 371428 | HEXAGON SOCKET HEAD CAP SCREW M6X16 | 4 | FOR EUROPE ,AUS |
| 571 | 371425 | FRAME ASS'Y | 1 | FOR EUROPE ,AUS |
| 572 | 371444 | PUSH STICKER STORAGE (A) | 1 | FOR EUROPE ,AUS |
| 573 | 371445 | PUSH STICKER STORAGE (B) | 1 | FOR EUROPE ,AUS |
| 574 | 371413 | HEX. SOCKET CAP SCREW M6X40 | 2 | FOR EUROPE ,AUS |
| 575 | 371412 | FOOTING | 2 | FOR EUROPE ,AUS |
| 576 | 371411 | LOCK NUT M6 | 3 | FOR EUROPE ,AUS |
| 577 | 371414 | END CAP | 2 | FOR EUROPE ,AUS |
| 578 | 371416 | HEX. SOCKET BUTTON HEAD SCREW | 4 | FOR EUROPE ,AUS |
| 579 | 371415 | HANDLE ASS'Y | 1 | FOR EUROPE ,AUS |
| 580 | 371417 | HEX. SOCKET BUTTON HEAD SCREW M8X45 | 8 | FOR EUROPE ,AUS |

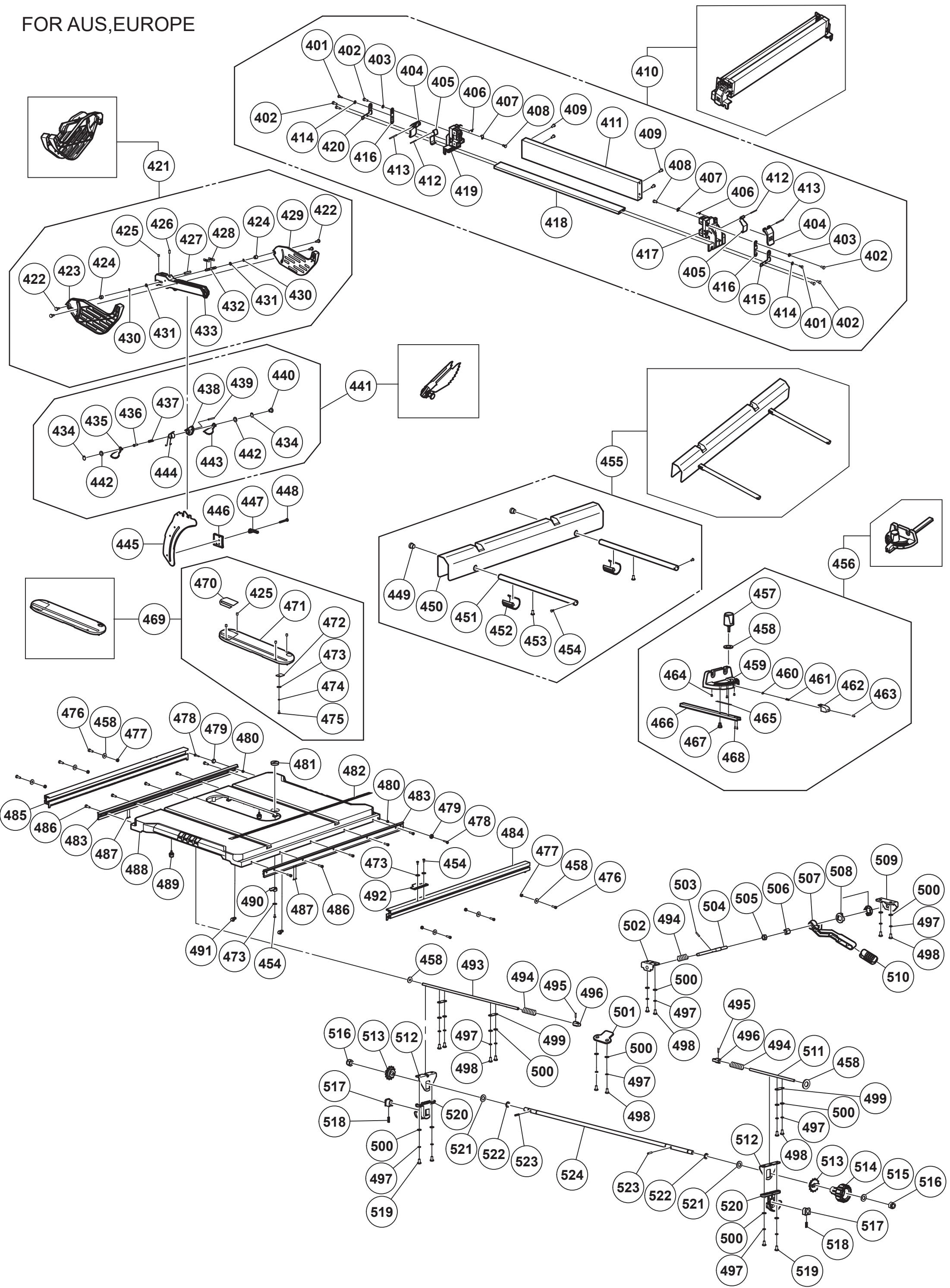
* ALTERNATIVE PARTS

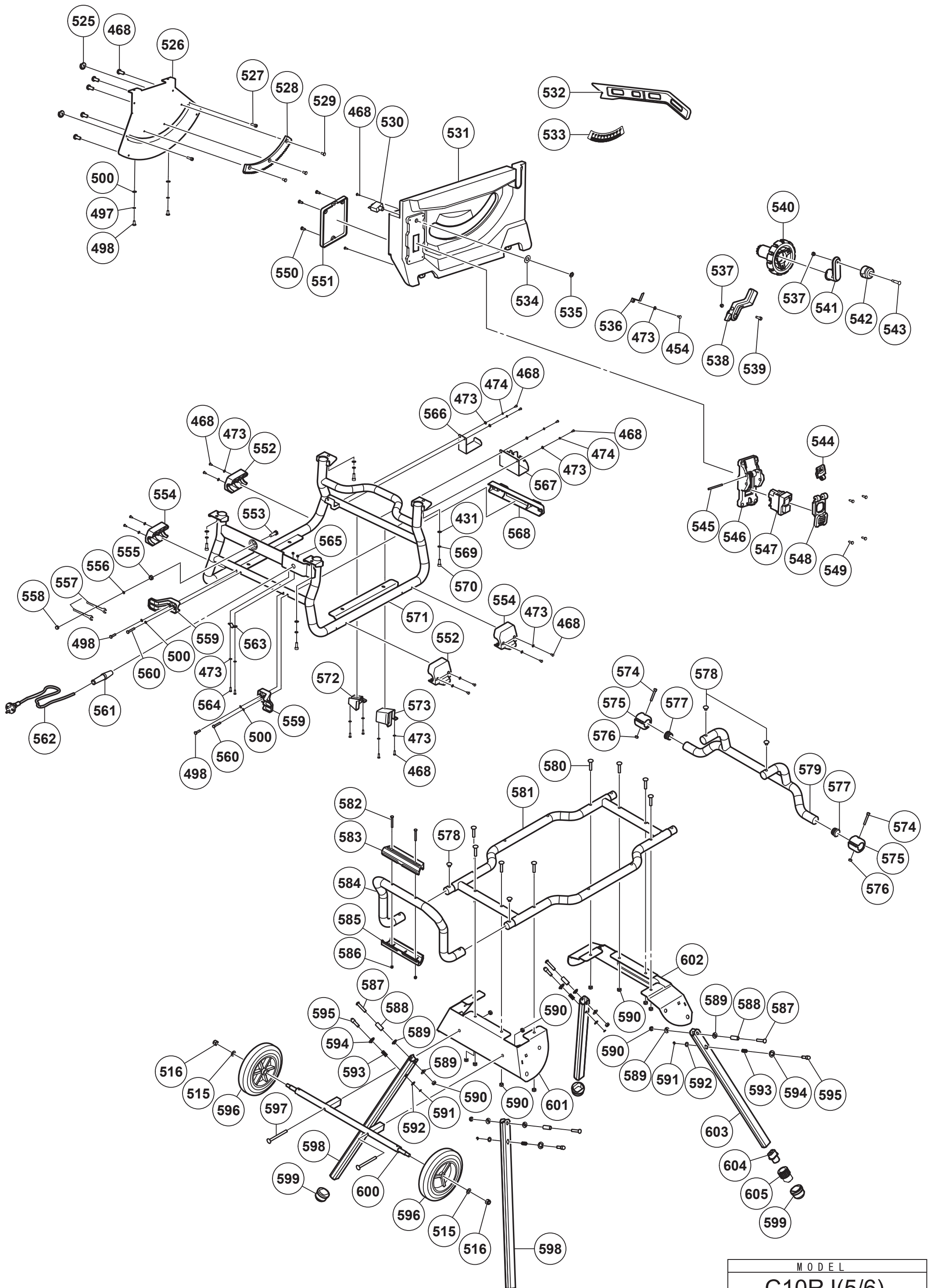
HIKOKI**OEM C10RJ**

| Item No. | Code No. | Description | No. Used | Remarks |
|----------|----------|--|----------|---------------------------------|
| 581 | 371410 | HORIZONTAL SUPPORT TUBE ASS'Y M6X40 | 1 | FOR EUROPE ,AUS |
| 582 | 371422 | CROSS PAN HEAD SCREW M5X45 | 2 | FOR EUROPE ,AUS |
| 583 | 371421 | SUPPORT PAD (A) | 1 | FOR EUROPE ,AUS |
| 584 | 371420 | SUPPORT TUBE ASS'Y | 1 | FOR EUROPE ,AUS |
| 585 | 371419 | SUPPORT PAD (B) | 1 | FOR EUROPE ,AUS |
| 586 | 371418 | LOCK NUT M5 | 2 | FOR EUROPE ,AUS |
| 587 | 371398 | LEG BOLT | 4 | FOR EUROPE ,AUS |
| 588 | 371639 | LEG STOP COLLAR | 4 | FOR EUROPE ,AUS |
| 589 | 371397 | FRICTION PAD 8 | 8 | FOR EUROPE ,AUS |
| 590 | 371400 | LOCK NUT M8 | 14 | FOR EUROPE ,AUS |
| 591 | 371392 | SPLIT WASHER | 4 | FOR EUROPE ,AUS |
| 592 | 371393 | FLAT WASHER 8 | 4 | FOR EUROPE ,AUS |
| 593 | 371394 | SPRING | 4 | FOR EUROPE ,AUS |
| 594 | 371395 | FRICTION PAD | 4 | FOR EUROPE ,AUS |
| 595 | 371396 | STOP PIN | 4 | FOR EUROPE ,AUS |
| 596 | 371403 | WHEEL | 2 | FOR EUROPE ,AUS |
| 597 | 371402 | HEX. SOCKET PLAIN ROUND HEAD SCREW M8X90 | 2 | FOR EUROPE ,AUS |
| 598 | 371391 | STAND LEG (A) | 3 | FOR EUROPE ,AUS |
| 599 | 371390 | STAND FOOT | 4 | FOR EUROPE ,AUS |
| 600 | 371401 | WHEEL SHAFT ASS'Y | 1 | FOR EUROPE ,AUS |
| 601 | 371399 | SUPPORT PLATE ASS'Y (A) | 1 | FOR EUROPE ,AUS |
| 602 | 371409 | SUPPORT PLATE ASS'Y (B) | 1 | FOR EUROPE ,AUS |
| 603 | 371408 | ADJUSTABLE LEG | 1 | FOR EUROPE ,AUS |
| 604 | 371407 | ADJUSTABLE FOOT (A) | 1 | FOR EUROPE ,AUS |
| 605 | 371406 | ADJUSTABLE FOOT (B) | 1 | FOR EUROPE ,AUS |
| 606 | 371615 | HEX. SOCKET SET SCREW WITH FLAT POINT | 1 | FOR EUROPE ,AUS |
| 607 | 374715 | HOLDER SPRING | 1 | FOR EUROPE ,AUS |
| 608 | 371613 | STEEL BALL | 1 | FOR EUROPE ,AUS |
| 609 | 374714 | CLAMPING BUSH | 1 | FOR EUROPE ,AUS |
| 610 | 374693 | SPRING | 1 | FOR EUROPE ,AUS |
| 611 | 376399 | MOTOR | 1 | FOR EUROPE ,AUS |
| 612 | 371602 | CYLINDRICAL PIN | 2 | FOR EUROPE ,AUS |
| 613 | 374703 | TRUNNION HOLDER | 2 | FOR EUROPE ,AUS |
| 614 | 374704 | HEXAGON SOCKET HEAD CAP SCREW | 4 | FOR EUROPE ,AUS |
| *615 | 376401 | DUST ADAPTER | 1 | FOR EUROPE |
| 616 | 374705 | TRUNNION SLIDER BLOCK | 2 | FOR EUROPE ,AUS |
| 617 | 375806 | SAFETY SHIELD | 1 | FOR EUROPE ,AUS |
| 618 | 376400 | BOLT | 2 | FOR EUROPE ,AUS |
| 619 | 371496 | BLADE INNER FLANGE | 1 | FOR EUROPE ,AUS |
| 620 | 376395 | VARIABLE DIAMETER RING | 1 | FOR EUROPE ,AUS |
| 621 | 376397 | BLADE | 1 | FOR EUROPE ,AUS |
| 622 | 371502 | BLADE OUTER FLANGE | 1 | FOR EUROPE ,AUS |
| 623 | 371503 | ARBOR NUT | 1 | FOR EUROPE ,AUS |
| *624 | 376398 | TRUNNION | 1 | FOR EUROPE |
| 625 | 371610 | WASHER ON SHAFT 11 | 2 | FOR EUROPE ,AUS |
| 626 | 374709 | BEVEL GEAR | 2 | FOR EUROPE ,AUS |
| 627 | 371487 | A TYPE KEY | 2 | FOR EUROPE ,AUS |
| 628A | 376681 | UP AND DOWN ADJUSTING ROD (A) SET | 1 | INCLUD. 645-647 FOR EUROPE ,AUS |
| 629 | 371482 | COMPRESSION SCEW ROD | 1 | FOR EUROPE ,AUS |
| 630 | 374742 | LOCKING COMPRESSION SPRING | 1 | FOR EUROPE ,AUS |
| 631 | 374741 | WASHER SLEEVE | 1 | FOR EUROPE ,AUS |
| 632 | 374707 | UP AND DOWN ADJUSTING ROD | 1 | FOR EUROPE ,AUS |
| 633 | 374708 | ADJUSTING SEAT | 1 | FOR EUROPE ,AUS |

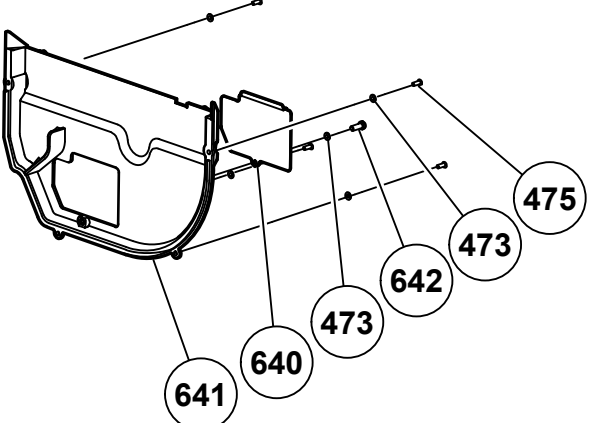
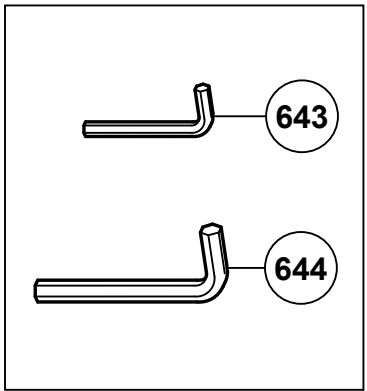
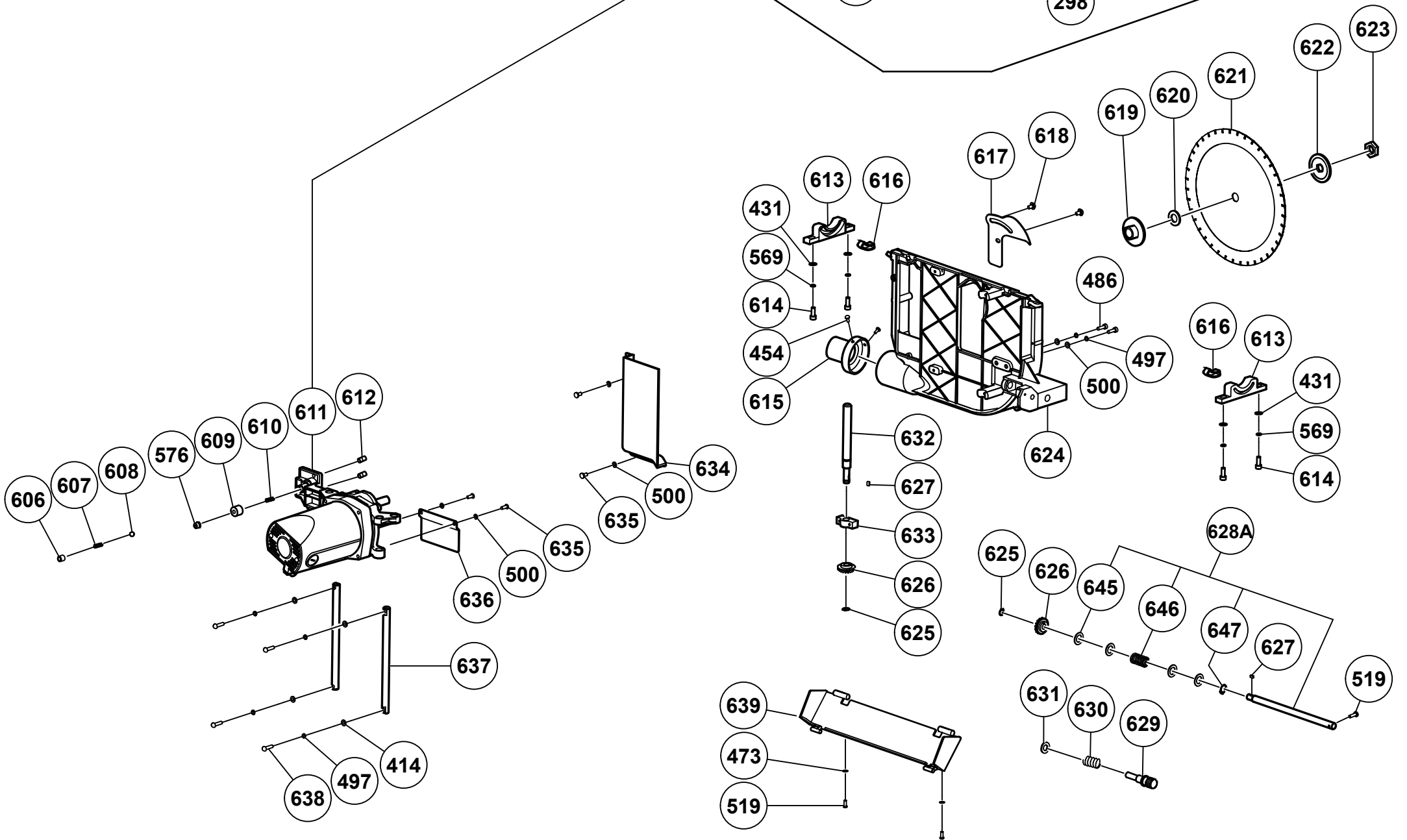
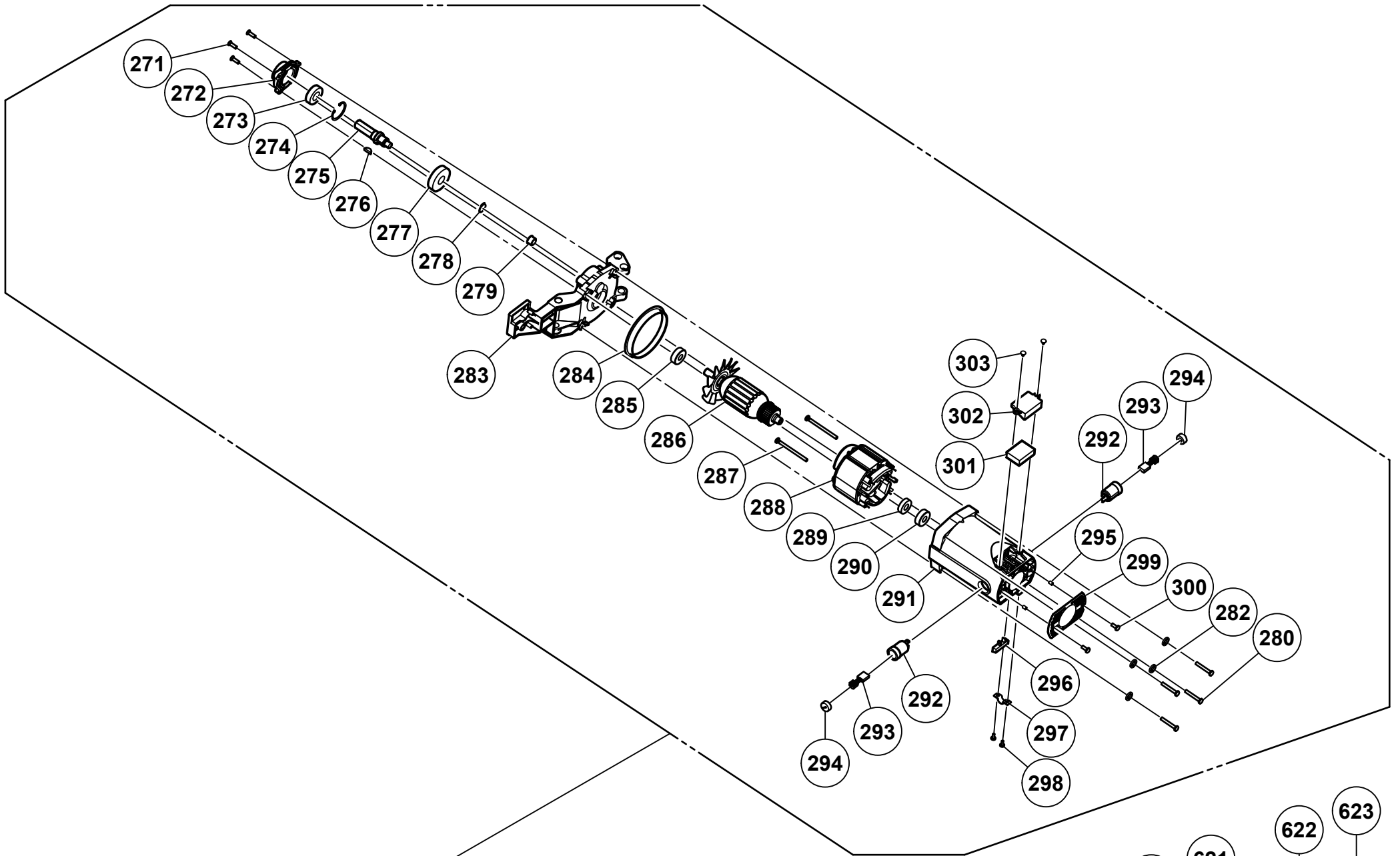
* ALTERNATIVE PARTS

FOR AUS,EUROPE





MODEL
C10RJ(5/6)



MODEL
C10RJ(6/6)